

# E-LIFE EPC-415

## Industrial Panel PC



### GENERAL INFORMATION

- Intel Celeron J1900 2.00 GHz Quad Core Processor
- Durable and Stylish Aluminum Die Cast Chassis
- 15" Industrial Grade LCD with 350 cd/m2 Brightness
- Multi-Touch Projected Capacitive Touch Screen
- Glove Support on PCAP Touch
- 2 x Gigabit Ethernet
- 4 x RS232 and 1 x RS485 Portu
- 8 Bit Digital I/O
- 3 x USB 2.0 and 1 x USB 3.0
- Remote Power Switch Connector
- CE Certificate of Conformity



**EPC-415 is a cost effective and reliable hardware solution for your Industry 4.0, IoT, Automation and Digital Transformation project with its Quad Core Intel Embedded Processor, rich I/O and robust aluminum die casting chassis.**

**E-Life EPC-415 New Generation Industrial Panel PC is ready to join your projects.**

EPC-415 Panel PC, developed with our long-term design experience and market feedback since 2004 that we released our first Panel PC as Turkey's first original design Panel PC manufacturer. New E-Life EPC-415 is offering high performance Celeron J1900 Quad-Core processor, 15" Projected Capacitive (PCAP) Touch Screen and rich I/O ports in a robust but stylish aluminum die cast chassis.

**High Quality and Durable PCAP Touch with Glove Support**

EPC-415 has industrial grade 15" TFT LCD Display with 350 cd/m2 brightness to ensure smooth user experience in all industrial environment as well as its specially designed Projected Capacitive Touch Sensor with 4 mm total thickness to provide durability and sensitivity during operation. EPC-415's Projected Capacitive sensor provides glove support to ensure seamless touch screen experience at all environments.

**Rich I/O Makes Your Connections Easier**

EPC-415 has rich I/O port structure including 4xRS232, 1xRS485, 2xGigabit LANs, 2x USB 2.0, 4x USB 3.0, Digital I/O and a remote ON/OFF switch to provide easy operation in case device was panel mounted in a housing. All these features make EPC-415 a flexible and functional Panel PC solution for many industrial applications.

**Easy Integration with Flexible Mounting Options**

Besides of all enhanced design and technical features, EPC-415 provides flexible mounting and stand options to support different applications at field. EPC-415 has special panel mount fixtures and a silicon gasket around front frame to provide a secure panel mount on customized chassis and housings. In addition, EPC-415 has optional desktop and floor stands and a wall mount bracket provide easy integration in any location.



# Technical Specifications

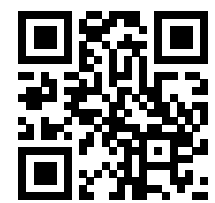
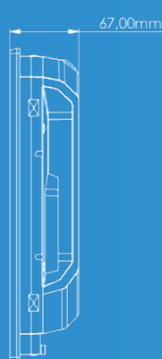
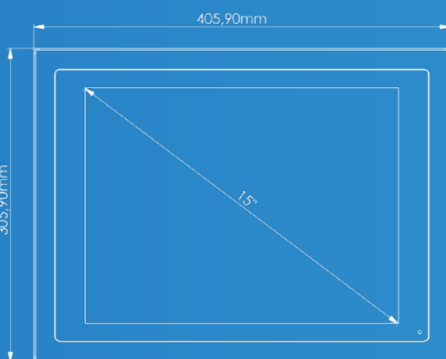


# E-LIFE EPC-415

Industrial  
Panel PC



- Processor**  
Intel® Celeron J1900  
Quad Core 2.00 GHz,  
2 MB Cache
- RAM**  
Standard 4 GB  
DDR3L 1333 MHz  
(Maks. 8GB)
- SSD**  
Standard 64 GB mSATA SSD  
128 GB - 1 TB mSATA SSD  
SATAIII Options
- Display**  
15" TFT LCD
- Resolution**  
1024 x 768
- Brightness**  
350 cd/m2
- Contrast**  
1000:1
- LCD Viewing Angle (H/V)**  
178° /178°
- Touch Screen**  
Projected Capacitive,  
5-Points Multi-Touch,  
Glove Support\*
- Serial Ports**  
4 x RS232  
1 x RS485
- USB**  
3 x USB 2.0  
1 x USB 3.0
- LAN**  
2 x Realtek RTL8111F  
Gigabit Ethernet
- I/O Digital I/O**  
4 IN, 4 OUT Digital I/O, RJ48
- Display Output**  
VGA + HDMI
- Graphics Card**  
Intel® HD Graphics
- Audio**  
On board ALC662  
High Definition Audio
- Wi-Fi**  
Optional, IEEE 802.11 b/g/n,  
5 dBi Wi-Fi Antenna
- Expansion Slot**  
1 x Mini-PCIe
- PC Power Supply**  
12V / 5A DC Adaptor
- Power Input**  
12V DC
- Chassis**  
Aluminum Die Cast
- Mounting Options**  
VESA 100 x 100  
Optional Panel Mount Kit  
Optional Desktop and  
Kiosk Type Stands  
Optional Wall Mount Kit
- Operating Temperature**  
0 ~ 60 °C
- Dimensions**  
405,9 x 305,9 x 67 mm
- Weight**  
5,15 Kg.
- Operating Systems Support**  
Windows 10 IoT / Windows 10 Pro



# NOYA

**NOYA BİLGİSAYAR**

Hamidiye Mah. Soğuksu Caddesi  
No:5 Kat:8 34408 Kağıthane /  
İstanbul / Türkiye

☎ 0212 294 24 03  
☎ 0850 399 66 92

info@noyabilgisayar.com  
www.noyabilgisayar.com

Technical specifications may be changed by Noya Bilgisayar at any time without prior notice or explanation to the user.  
\*Touch Screen glove support is valid for Latex, PVC, Nitrile and PU gloves.