

# E-LIFE EPC-515

## Industrial Panel PC



### GENERAL INFORMATION

- Intel Core i3-8145U and i5-8265U Processor Options
- Durable and Stylish Aluminum Die Cast Chassis
- 15" Industrial Grade LCD with 350 cd/m2 Brightness
- Multi-Touch Projected Capacitive Touch Screen
- Glove Support on PCAP Touch
- 2 x Gigabit Ethernet
- 4 x RS232 and 1 x RS485 Portu
- 8 Bit Digital I/O
- 2 x USB 2.0 and 4 x USB 3.0
- Remote Power Switch Connector
- CE Certificate of Conformity



**EPC-515 is a reliable Panel PC solution for your Industry 4.0, IoT, Automation and Digital Transformation projects which demanding high processor performance with its Intel Core Mobile Processor options, rich I/O and robust aluminum die casting chassis.**

**E-Life EPC-515 High Performance Industrial Panel PC is ready to boost computing power on projects.**

EPC-515 is high performance series of new E-Life EPC Panel PC family which is developed to support applications require high CPU performance in industrial environments. Like all EPC Series Panel PC, EPC-515 is also developed with our long-term design experience and market feedback since 2004 that we released our first Panel PC as Turkey's first original design Panel PC manufacturer. New E-Life EPC-515 is offering high performance Intel's 8th Generation i3-8145U and i5-8265U Mobile Processor options, 15" Projected Capacitive (PCAP) Touch Screen and rich I/O ports in a robust but stylish aluminum die cast chassis.

### High Quality and Durable PCAP Touch with Glove Support

EPC-515 has industrial grade 15" TFT LCD Display with 350 cd/m2 brightness to ensure smooth user experience in all industrial environment as well as its specially designed Projected Capacitive Touch Sensor with 4 mm total thickness to provide durability and sensitivity during operation. EPC-515's Projected Capacitive sensor provides glove support to ensure seamless touch screen experience at all environments.

### Rich I/O Makes Your Connections Easier

EPC-515 has rich I/O port structure including 4xRS232, 1xRS485, 2xGigabit LANs, 3x USB 2.0, 1x USB 3.0, Digital I/O and a remote ON/OFF switch to provide easy operation in case device was panel mounted in a housing. All these features make EPC-515 is a flexible and functional Panel PC solution for many industrial applications which are demanding higher processor power and connectivity.

### Easy Integration with Flexible Mounting Options

Besides of all enhanced design and technical features, EPC-515 provides flexible mounting and stand options to support different applications at field. EPC-515 has special panel mount fixtures and a silicon gasket around front frame to provide a secure panel mount on customized chassis and housings. In addition, EPC-515 has optional desktop and floor stands and a wall mount bracket provide easy integration in any location.



# Technical Specifications

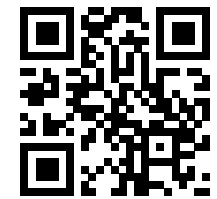
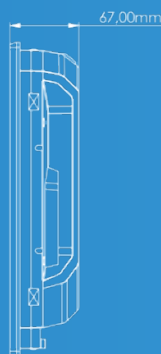
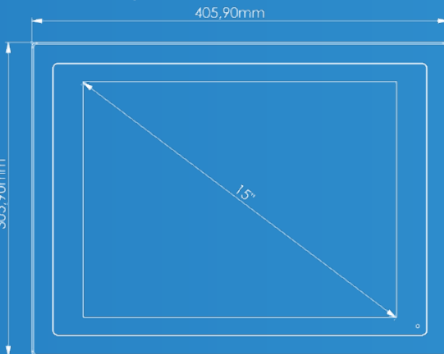


# E-LIFE EPC-515

Industrial  
Panel PC



<b>Processor</b> Intel® Core™ i3-8145U, 2.10 GHz, 4 MB Smart Cache Intel® Turbo Boost Technology 2.0 ile maks 3,90 GHz Intel® Core™ i5-8265U, 1.60 GHz, 6 MB Smart Cache Intel® Turbo Boost Technology 2.0 ile maks 3,90 GHz	<b>RAM</b> Standard 4 GB DDR4 2400 MHz (Maks. 32GB)	<b>SSD</b> Standard 64 GB mSATA SSD 128 GB - 1 TB mSATA SSD SATAIII Options
<b>Display</b> 15" TFT LCD	<b>Resolution</b> 1024 x 768	<b>Brightness</b> 350 cd/m2
<b>Contrast</b> 1000:1	<b>LCD Viewing Angle (H/V)</b> 178°/178°	<b>Touch Screen</b> Projected Capacitive, 5-Points Multi-Touch, GloveSupport*
<b>Serial Ports</b> 4 x RS232 1 x RS485	<b>USB</b> 2 x USB 2.0 4 x USB 3.0	<b>LAN</b> 2 x Intel i211 Gigabit Ethernet
<b>Digital I/O</b> 4 IN, 4 OUT Digital I/O, RJ48	<b>Display Output</b> HDMI + DP	<b>Graphics Card</b> Intel® HD 620 Graphics
<b>Audio</b> On board ALC662 High Definition Audio	<b>Wi-Fi</b> Optional, IEEE 802.11 b/g/n, 5 dBi Wi-Fi Antenna	<b>Expansion Slot</b> 1 x M.2
<b>PC Power Supply</b> 12V / 5A DC Adaptör	<b>Power Input</b> 12V DC	<b>Chassis</b> Aluminum Die Cast
<b>Mounting Options</b> VESA 100 x 100 Optional Panel Mount Kit Optional Desktop and Kiosk Type Stands Optional Wall Mount Kit	<b>Operating Temperature</b> 0 ~ 50 °C	<b>Dimensions</b> 405,9 x 305,9 x 67 mm
<b>Weight</b> 5,15 Kg.	<b>Operating Systems Support</b> Windows 10 IoT / Windows 10 Pro	



# NOYA

**NOYA BİLGİSAYAR**

Hamidiye Mah. Soğuksu Caddesi  
No:5 Kat:8 34408 Kağıthane /  
İstanbul / Türkiye

☎ 0212 294 24 03  
☎ 0850 399 66 92

info@noyabilgisayar.com  
www.noyabilgisayar.com