

E-LIFE EPC-410 ANDROID

Industrial Panel PC

GENERAL INFORMATION

- Cortex A17 1.80 GHz Quad Core Arm Processor
- Durable and Stylish Aluminum Die Cast Chassis
- 2GB DDR3 RAM and 8 GB eMMC ROM
- 10.1" IPS LCD with 430 cd/m2 Brightness
- Optical Bonding Technology on Display
- Multi-Touch Projected Capacitive Touch Screen
- Glove Support on PCAP Touch
- 1 x Gigabit Ethernet
- 4 x USB 2.0
- IK08 Impact Resistance Certified Touch Screen Display
- CE Certificate of Conformit



e-life
solutions



EPC-410 Android is a cost effective and compact Panel PC for any Industry 4.0, IoT, Automation and Digital Transformation application which requires Android platform with its Quad Core ARM Processor, rich I/O and robust aluminum die casting chassis.

Industrial Grade Android Panel PC

EPC-410 Android is compact member of new E-Life EPC Panel PC family which is developed to support all applications requires a reliable Panel PC with Android Operating System. Like all EPC Series Panel PCs, EPC-410 Android is also developed with our long-term design experience and market feedback since 2004 that we released our first Panel PC as Turkey's first original design Panel PC manufacturer.

Optical Bonding Technology for High Image Quality and Durability

EPC-410 Android has a special 10.1" LCD Display with Optical Bonding Technology and 430 cd/m2 brightness to ensure smooth user experience with high durability and clear images in all industrial environments. Optical Bonding Technology is a special process of laminating cover glass, touch sensor and LCD with a special optical adhesive which eliminates air gap between touch screen and LCD Panel. Displays with Optical Bonding Technology provides high durability and ruggedness against both impacts and severe environmental conditions like dust, humidity, and liquids as well as high visibility under bright ambient conditions due to eliminated internal reflection between touch screen and LCD. EPC-410 Android has an Optical Bonded PCAP Touch Screen Display by laminating a specially designed 4 mm PCAP Touch Sensor with a 10.1" IPS LCD Panel. Thus EPC-410 Android is suitable to be deployed at most severe industrial environments with its 10.1" rugged and high sensitivity touch screen with glove support.

Rich I/O Makes Your Connections Easier

EPC-410 Android has rich I/O port structure including 1 x Gigabit LAN, 4 x USB 2.0 and HDMI output to provide easy operation in case device was panel mounted in a housing. All these features make EPC-410 Android is a flexible and functional Panel PC solution for many applications.

Easy Integration with Flexible Mounting Options

Besides of all enhanced design and technical features, EPC-410 Android provides flexible mounting and stand options to support different applications at field. EPC-410 Android has special panel mount fixtures and a silicon gasket around front frame to provide a secure panel mount on customized chassis and housings. In addition, EPC-410 Android has optional desktop and floor stands and a wall mount bracket provide easy integration in any location.

CE

Technical Specifications

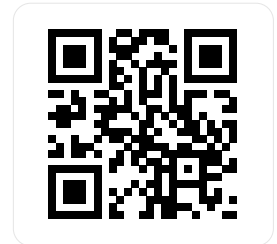
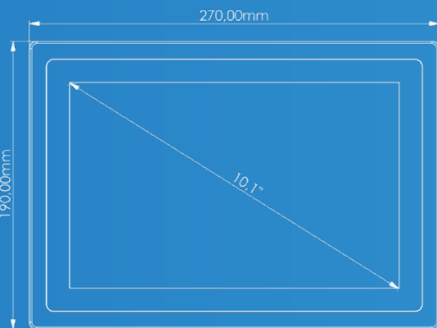


E-LIFE EPC-410 ANDROID

Industrial
Panel PC



- Processor**
Cortex A17 1.8 GHz
Quad Core
- GPU**
Mali-T764
- RAM**
2GB DDR3
- SSD**
8GB eMMC
(Optional 16GB)
- Display**
10.1" IPS LCD – Optical
Bonding Technology
- Resolution**
1280 x 800
- Brightness**
430 cd/m²
- Contrast**
800:1
- LCD Viewing Angle (H/V)**
170°/170°
- Touch Screen**
Projected Capacitive,
5-Points Multi-Touch,
Glove Support*
- Serial Ports**
2 x RS232 – 4 Pin
- USB**
4 x USB 2.0
- LAN**
1 x Gigabit Ethernet
- Display Output**
VGA + HDMI
- Bluetooth**
Bluetooth 4.0
- Wi-Fi**
IEEE 802.11 b/g/n
- Expansion Slot**
1 x TF Card, 1 x SIM Card,
1 x Mini PCIe
- PC Power Supply**
12V /2A DC Adaptor
- Power Input**
12V DC
- Chassis**
Aluminum Die Cast
- Mounting Options**
VESA 75 x 75
Optional Panel Mount Kit
Optional Desktop and
Kiosk Type Stands
Optional Wall Mount Kit
- Operating Temperature**
0 ~ 60 °C
- Dimensions**
270 x 190 x 59 mm
- Weight**
1,85 Kg.
- Operating System**
Android 7.1



NOYA

NOYA BİLGİSAYAR

Hamidiye Mah. Soğuksu Caddesi
No:5 Kat:8 34408 Kağıthane /
İstanbul / Türkiye

☎ **0212 294 24 03**
☎ **0850 399 66 92**

info@noyabilgisayar.com
www.noyabilgisayar.com

Technical specifications may be changed by Noya Bilgisayar at any time without prior notice or explanation to the user.
*Touch Screen glove support is valid for Latex, PVC, Nitrile and PU gloves.