

# E-LIFE EPC-718

## Industrial Panel PC



### GENERAL INFORMATION

- Intel Core i3-8145U and i5-8265U Processor Options
- Durable and Functional Aluminum Chassis
- 18.5" IPS LCD with 350 cd/m2 Brightness
- Multi-Touch Projected Capacitive Touch Screen
- Glove Support on PCAP Touch
- 2 x Gigabit Ethernet
- 3 x RS232 and 1 x RS485
- 2 x USB 2.0 and 4 x USB 3.0
- Remote Power Switch Connector
- CE Certificate of Conformity



**EPC-718 is a reliable industrial wide screen Panel PC solution for your Industry 4.0, IoT, Automation and Digital Transformation projects which demanding high processor performance with its 18.5" HD IPS Touch Screen Display, Intel Core Mobile Processor options, rich I/O and robust aluminum chassis. EPC-718 Wide Screen Panel PC dedicated to providing non-stop operation at industrial environments.**

### Wide Screen Comfort and Efficiency for Your Industrial Applications

E-Life EPC-718 has a wide screen IPS display with 1388x786 HD resolution which give more space for your software to contain much more data on display. This will provide a better user experience at filed and increase efficiency of your application.

### Durable Multi-Touch PCAP with Glove Support

EPC-718 has 18.5" IPS HD Display with 350 cd/m2 brightness to ensure smooth user experience in all industrial environment as well as its specially designed Projected Capacitive Touch Sensor with 4 mm total thickness to provide durability and sensitivity during operation. EPC-718's Projected Capacitive sensor provides glove support to ensure seamless touch screen experience at all environments.

### Stylish and Rugged Aluminum Chassis

E-Life EPC-718 has a unique aluminum extrusion chassis with a stylish design and rugged structure. This ensures EPC-718 will work on harsh industrial environments without any interruption.

### Rich I/O and Enhanced Connectivity

E-Life EPC-718 has rich I/O port structure including 3xRS232, 1xRS485, 2xGigabit LANs, 2x USB 2.0, 4x USB 3.0 and a remote ON/OFF switch connector to provide easy operation in case device was panel mounted in a housing. All these features make EPC-718 is a flexible and functional Panel PC solution for many industrial applications.

### Easy Integration with Flexible Mounting Options

Besides of all enhanced design and technical features, EPC-718 provides flexible mounting and stand options to support different applications at field. EPC-718 has special panel mount fixtures and a silicon gasket around front frame to provide a secure panel mount on customized chassis and housings. In addition, EPC-718 has optional desktop and floor stands and a wall mount bracket provide easy integration in any location.






# Technical Specifications

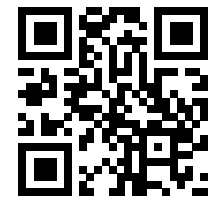
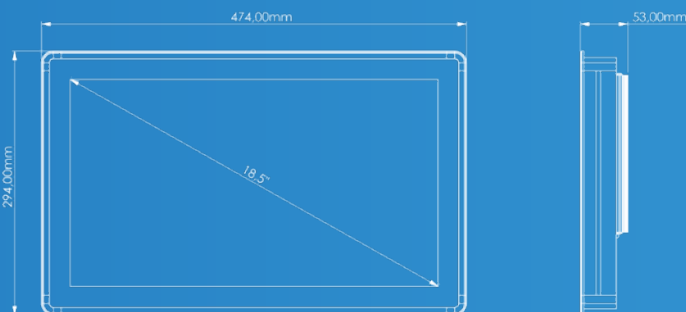


# E-LIFE EPC-718

Industrial  
Panel PC



 <b>Processor</b> Intel® Core™ i3-8145U, 2.10 GHz, 4 MB Smart Cache Intel® Turbo Boost Technology 2.0 ile maks 3,90 GHz Intel® Core™ i5-8265U, 1.60 GHz, 6 MB Smart Cache Intel® Turbo Boost Technology 2.0 ile maks 3,90 GHz	 <b>RAM</b> Standard 4 GB DDR4 2400 MHz (Maks. 32GB)	 <b>SSD</b> Standard 64 GB M.2 SSD 128 GB - 1 TB M.2 SSD Options
 <b>Display</b> 18.5" TFT LCD	 <b>Resolution</b> 1366 x 768 (Optimal 1920x1080 Full HD)	 <b>Brightness</b> 350 cd/m2
 <b>Contrast</b> 1000:1	 <b>LCD Viewing Angle (H/V)</b> 178° /178°	 <b>Touch Screen</b> Projected Capacitive, 5-Points Multi-Touch, GloveSupport*
 <b>Serial Ports</b> 3 x RS232 1 x RS485	 <b>USB</b> 2 x USB 2.0 4 x USB 3.0	 <b>LAN</b> 2 x Intel i211 Gigabit Ethernet
 <b>Audio</b> On board ALC662 High Definition Audio	 <b>Display Output</b> HDMI + DP	 <b>Graphics Card</b> Intel® HD 620 Graphics
 <b>PC Power Supply</b> 12V / 5A DC Adaptor	 <b>Wi-Fi</b> Optional, IEEE 802.11 b/g/n, 5 dBi Wi-Fi Antenna	 <b>Expansion Slot</b> 2 x M.2
 <b>Mounting Options</b> VESA 100 x 100 Optional Panel Mount Kit Optional Desktop and Kiosk Type Stands Optional Wall Mount Kit	 <b>Power Input</b> 12V DC	 <b>Chassis</b> Extruded Aluminum
 <b>Weight</b> 5,75 Kg.	 <b>Operating Temperature</b> 0 ~ 60 °C	 <b>Dimensions</b> 474 x 294 x 53 mm
 <b>Operating Systems Support</b> Windows 10 IoT / Windows 10 Pro		



# NOYA

**NOYA BİLGİSAYAR**

Hamidiye Mah. Soğuksu Caddesi  
No:5 Kat:8 34408 Kağıthane /  
İstanbul / Türkiye

☎ 0212 294 24 03  
☎ 0850 399 66 92

info@noyabilgisayar.com  
www.noyabilgisayar.com

Technical specifications may be changed by Noya Bilgisayar at any time without prior notice or explanation to the user.  
\*Touch Screen glove support is valid for Latex, PVC, Nitrile and PU gloves.