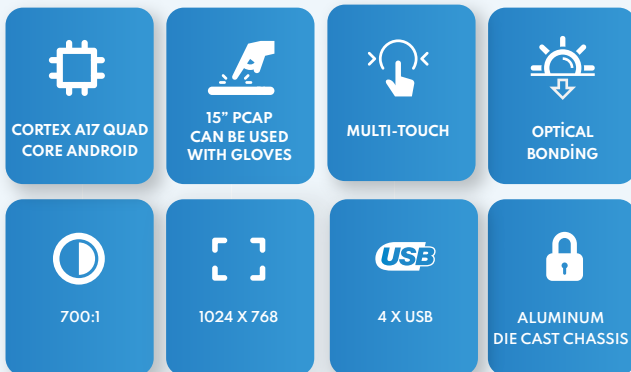


E-LIFE EPC-415A ANDROID

Industrial Panel PC

GENERAL INFORMATION

- Cortex A17 1.80 GHz Quad Core Arm Processor
- Durable and Stylish Aluminum Die Cast Chassis
- 2GB DDR3 RAM and 16 GB eMMC ROM
- Android 7.1
- 15" Industrial Grade LCD with 450 cd/m2 Brightness
- Multi-Touch Projected Capacitive Touch Screen
- Glove Support on PCAP Touch
- 1 x Gigabit Ethernet
- 4 x USB 2.0
- 1 x HDMI Port
- CE Certificate of Conformity



EPC-415 is a cost effective and reliable hardware solution for your Industry 4.0, IoT, Automation and Digital Transformation project with its Quad Core ARM Processor, rich I/O and robust aluminum die casting chassis.

Industrial Grade Android Panel PC.

EPC-415A is a real industrial Android Panel PC which can support all industrial applications requires a reliable Panel PC with Android Operating System. Like all EPC Series Panel PCs, EPC-415A is also developed with our long-term design experience and market feedback since 2004 that we released our first Panel PC as Turkey's first original design Panel PC manufacturer.

High Quality and Durable PCAP Touch with Glove Support

EPC-415A has industrial grade 15" TFT LCD Display with 450 cd/m2 brightness to ensure smooth user experience in all industrial environment as well as its specially designed Projected Capacitive Touch Sensor with 4 mm total thickness to provide durability and sensitivity during operation. EPC-415A's Projected Capacitive sensor provides glove support to ensure seamless touch screen experience at all environments.

Rich I/O Makes Your Connections Easier

EPC-415A has rich I/O port structure including 1 x Gigabit LAN, 4 x USB 2.0 and HDMI output to provide easy operation in case device was panel mounted in a housing. All these features make EPC-410 Android is a flexible and functional Panel PC solution for many applications.

Easy Integration with Flexible Mounting Options

Besides of all enhanced design and technical features, EPC-415A provides flexible mounting and stand options to support different applications at field. EPC-415A has special panel mount fixtures and a silicon gasket around front frame to provide a secure panel mount on customized chassis and housings. In addition, EPC-415A has optional desktop and floor stands and a wall mount bracket provide easy integration in any location.



Technical Specifications



Processor
Cortex A171.8 GHz
Quad Core



GPU
Mali-T764



RAM
2GB DDR3



SSD
16GB eMMC



Display
15" Endüstriyel Sınıf
TFT LCD



Resolution
1024 x 768



Brightness
450 cd/m2



Contrast
700:1



LCD Viewing Angle (H/V)
160/140



Touch Screen
Projected Capacitive,
5-Points Multi-Touch,
Glove Support*



USB
4 x USB 2.0



LAN
1 x Gigabit Ethernet



Display Output
VGA + HDMI



Bluetooth
Bluetooth 4.0



Wi-Fi
IEEE 802.11 b/g/n



Expansion Slot
1 x TF Card Slot
1 x Mini-PCle



PC Power Supply
12V /2A DC Adaptör



Power Input
12V DC



Chassis
Aluminum Die Cast



Mounting Options
VESA 100 x 100
Optional Panel Mount Kit
Optional Desktop and Kiosk Type Stands
Optional Wall Mount Kit



Operating Temperature
0 ~ 60 °C



Dimensions
340.5 x 282.5 x 64 mm



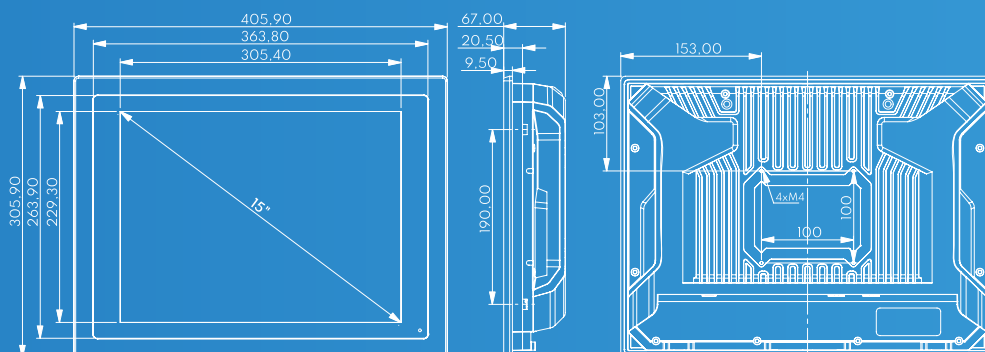
Weight
5 Kg.



Operating System
Android 7.1



*Touch Screen glove support is valid for Latex, PVC, Nitrile and PU gloves



NOYA

NOYA BİLGİSAYAR

Hamidiye Mah. Soğuksu Caddesi
No:5 Kat:8 34408 Kağıthane /
İstanbul / Türkiye

☎ 0212 294 24 03
☎ 0850 399 66 92

info@noyabilgisayar.com
www.noyabilgisayar.com