

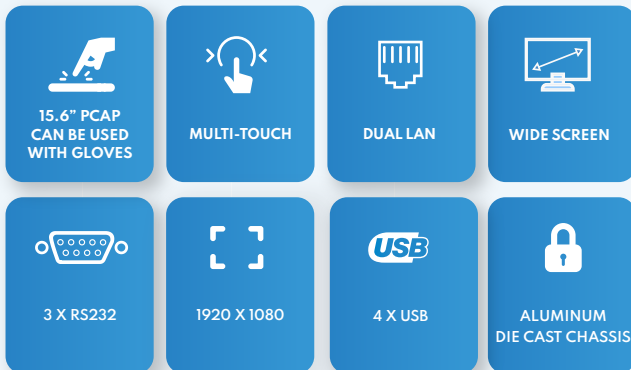
# E-LIFE EPC-616

## Industrial Panel PC



### GENERAL INFORMATION

- Intel Celeron J1900 2.00 GHz Quad Core Processor
- Durable and Functional Aluminum Chassis
- 15.6" IPS LCD with 40t0 cd/m2 Brightness
- Multi-Touch Projected Capacitive Touch Screen
- Glove Support on PCAP Touch
- 2 x Gigabit Ethernet
- 3 x RS232
- 2 x USB 2.0 and 2 x USB 3.0
- Remote Power Switch Connector
- CE Certificate of Conformity



EPC-616 is a cost effective and reliable industrial wide screen Panel PC solution which is demanding Full HD resolution in a compact design for Industry 4.0, IoT, Automation and Digital Transformation projects. E-Life EPC-616 is dedicated to providing non-stop operation at industrial environments with its Quad Core Intel Embedded Processor, rich I/O and robust aluminum chassis

### Wide Screen Comfort and Efficiency for Your Industrial Applications

E-Life EPC-616 has a wide screen LCD display with 1920x1080 Full HD resolution which give more space for your software to contain much more data on display. This will provide a better user experience at field and increase efficiency of your application.

### Durable Multi-Touch PCAP with Glove Support

EPC-616 has 15.6" LCD Full HD Display with 400 cd/m2 brightness to ensure smooth user experience in all industrial environment as well as its specially designed Projected Capacitive Touch Sensor with 4 mm total thickness to provide durability and sensitivity during operation. EPC-616's Projected Capacitive sensor provides glove support to ensure seamless touch screen experience at all environments.

### Stylish and Rugged Aluminum Chassis

E-Life EPC-616 has a unique aluminum extrusion chassis with a stylish design and rugged structure. This ensures EPC-616 will work on harsh industrial environments without any interruption.

### Rich I/O and Enhanced Connectivity

E-Life EPC-616 has rich I/O port structure including 3xRS232, 2xGigabit LANs, 2xUSB 2.0, 2x USB 3.0 and a remote ON/OFF switch connector to provide easy operation in case device was panel mounted in a housing. All these features make EPC-616 is a flexible and functional Panel PC solution for many industrial applications.

### Easy Integration with Flexible Mounting Options

Besides of all enhanced design and technical features, EPC-616 provides flexible mounting and stand options to support different applications at field. EPC-616 has special panel mount fixtures and a silicon gasket around front frame to provide a secure panel mount on customized chassis and housings. In addition, EPC-616 has optional desktop and floor stands and a wall mount bracket provide easy integration in any location.



# Technical Specifications

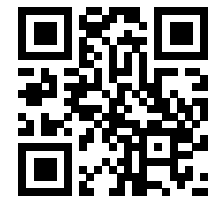
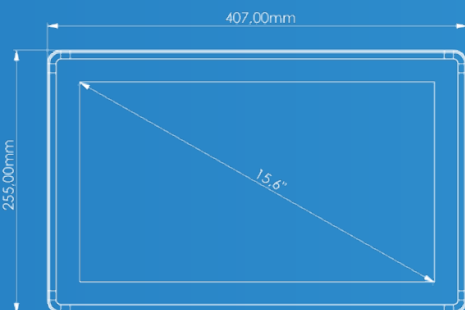


# E-LIFE EPC-616

Industrial  
Panel PC



<b>Processor</b> Intel® Celeron J1900 Quad Core 2.00 GHz, 2 MB Cache	<b>RAM</b> Standard 4 GB DDR3L 1333 MHz (Maks. 8GB)	<b>SSD</b> Standard 64 GB mSATA SSD 128 GB - 1 TB mSATA SSD SATAIII Options
<b>Display</b> 15.6" TFT LCD	<b>Resolution</b> 1920 x 1080	<b>Brightness</b> 400 cd/m2
<b>Contrast</b> 1000:1	<b>LCD Viewing Angle (H/V)</b> 160° / 140°	<b>Touch Screen</b> Projected Capacitive, 5-Points Multi-Touch, GloveSupport*
<b>Serial Ports</b> 3 x RS232	<b>USB</b> 2 x USB 2.0 2 x USB 3.0	<b>LAN</b> 2 x Realtek RTL8111F Gigabit Ethernet
<b>Display Output</b> VGA + HDMI	<b>Graphics Card</b> Intel® HD Graphics	<b>Audio</b> On board ALC662 High Definition Audio
<b>Wi-Fi</b> Optional, IEEE 802.11 b/g/n, 5 dBi Wi-Fi Antenna	<b>Expansion Slot</b> 1 x Mini-PCIe	<b>PC Power Supply</b> 12V / 5A DC Adaptor
<b>Power Input</b> 12V DC	<b>Chassis</b> Extruded Aluminum	<b>Mounting Options</b> VESA 100 x 100 Optional Panel Mount Kit Optional Desktop and Kiosk Type Stands Optional Wall Mount Kit
<b>Operating Temperature</b> 0 ~ 60 °C	<b>Dimensions</b> 407 x 255 x 53 mm	<b>Weight</b> 4,45 Kg.
<b>Operating Systems Support</b> Windows 10 IoT / Windows 10 Pro		



# NOYA

**NOYA BİLGİSAYAR**

Hamidiye Mah. Soğuksu Caddesi  
No:5 Kat:8 34408 Kağıthane /  
İstanbul / Türkiye

☎ **0212 294 24 03**  
☎ **0850 399 66 92**

info@noyabilgisayar.com  
www.noyabilgisayar.com