

E-LIFE EPC-616 G2

Industrial Panel PC



GENERAL INFORMATION

- Intel Celeron J4125 2.00 GHz Quad Core Processor
- Durable and Functional Aluminum Chassis
- 15.6" LCD with 400 cd/m2 Brightness
- 1920 x 1080 Full HD Resolution
- Multi-Touch Projected Capacitive Touch Screen
- Glove Support on PCAP Touch
- 2 x Gigabit Ethernet
- 3 x RS232
- 2 x USB 2.0 and 2 x USB 3.0
- 9~36V Wide Range DC Input
- Remote Power Switch Connector



New EPC-616 G2 is a cost effective and reliable wide screen industrial Panel PC solution which is demanding Full HD resolution in a compact design for Industry 4.0, IoT, Automation and Digital Transformation projects. E-Life EPC-616 G2 is dedicated to providing non-stop operation at industrial environments with its new generation Quad Core Intel Embedded Processor, rich I/O and robust aluminum chassis

Higher Performance with New Generation Processor

Combining the advantages of newest generation Intel Celeron J4125 Quad Core processor and DDR4 2400MHz memory technology, new EPC-616 G2 offers much higher performance for all applications.

Durable Multi-Touch PCAP with Glove Support

EPC-616 G2 has 15.6" LCD Full HD Display with 400 cd/m2 brightness to ensure smooth user experience in all industrial environment as well as its specially designed Projected Capacitive Touch Sensor with 4 mm total thickness to provide durability and sensitivity during operation. EPC-616 G2's Projected Capacitive sensor provides glove support to ensure seamless touch screen experience at all environments.

Stylish and Rugged Aluminum Chassis

E-Life EPC-616 G2 has a unique aluminum extrusion chassis with a stylish design and rugged structure. This ensures EPC-616 G2 will work on harsh industrial environments without any interruption.

Rich I/O and Enhanced Connectivity

E-Life EPC-616 G2 has rich I/O port structure including 3xRS232, 2xGigabit LANs, 2xUSB 2.0, 2x USB 3.0 and a remote ON/OFF switch connector to provide easy operation in case device was panel mounted in a housing. In addition to all these features, 9~36V Wide Range DC power input of EPC-616 G2 makes it a flexible and functional Panel PC solution for many industrial applications

Easy Integration with Flexible Mounting Options

Besides of all enhanced design and technical features, EPC-616 G2 provides flexible mounting and stand options to support different applications at field. EPC-616 G2 has special panel mount fixtures and a silicon gasket around front frame to provide a secure panel mount on customized chassis and housings. In addition, EPC-616 G2 has optional desktop and floor stands and a wall mount bracket provide easy integration in any location.



Technical Specifications



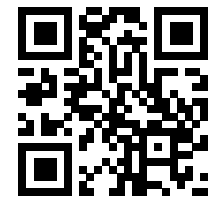
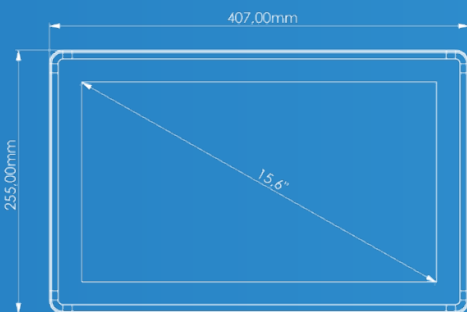
E-LIFE EPC-616 G2

Industrial
Panel PC



Processor Intel® Celeron J4125 Quad Core 2.00 GHz, 4 MB Cache	RAM Standard 4 GB DDR4 2400 MHz (Maks. 8GB)	SSD Standard 64 GB M.2 SATAIII SSD 128 GB – 1TB M.2 SSD SATAIII Options
Display 15.6" TFT LCD	Resolution 1920 x 1080	Brightness 400 cd/m2
Contrast 1000:1	LCD Viewing Angle (H/V) 160° / 140°	Touch Screen Projected Capacitive, 5-Points Multi-Touch, GloveSupport*
Serial Ports 3 x RS232	USB 2 x USB 2.0 2 x USB 3.0	LAN 2 x Realtek RTL8111H Gigabit Ethernet
Display Output VGA + HDMI	Graphics Card Intel® HD Graphics	Audio On board ALC897 High Definition Audio
Wi-Fi Optional, IEEE 802.11 b/g/n, 5 dBi Wi-Fi Antenna	Expansion Slot 1 x Mini-PCIe	PC Power Supply 12V / 5A DC Adaptor
Power Input 9~36V DC	Chassis Extruded Aluminum	Mounting Options VESA 100 x 100 Optional Panel Mount Kit Optional Desktop and Kiosk Type Stands Optional Wall Mount Kit
Operating Temperature 0 ~ 60 °C	Dimensions 407 x 255 x 53 mm	Weight 4,45 Kg.

Operating Systems Support
Windows 10 Pro, Windows 10 IoT, Windows 11



NOYA

NOYA BİLGİSAYAR

Hamidiye Mah. Soğuksu Caddesi
No:5 Kat:8 34408 Kağıthane /
İstanbul / Türkiye

☎ **0212 294 24 03**

☎ **0850 399 66 92**

info@noyabilgisayar.com
www.noyabilgisayar.com

Technical specifications may be changed by Noya Bilgisayar at any time without prior notice or explanation to the user.
*Touch Screen glove support is valid for Latex, PVC, Nitrile and PU gloves.